

SECO-LARM's new Bullet Cameras are the cost-effective way to make the latest video technology a part of a complete security installation. Two models, – black and white and color – for use in nearly any security situation. Adjustable bracket for wall and ceiling mount allows for fast, easy installations. EIA/NTSC models standard. \*CCIR/PAL available by special request only.

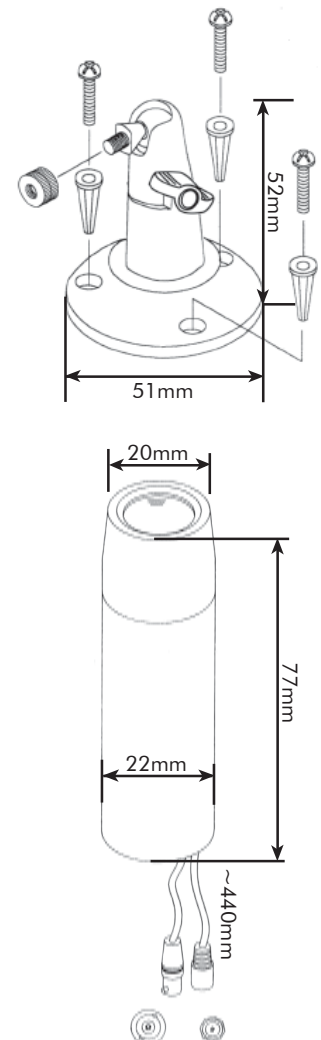


### Product Specifications

	<b>EV-1323B12 (EIA) / EV-1353B12 (CCIR)*</b>	<b>EV-1324C12 (NTSC) / EV-1354C12 (PAL)*</b>
	<b>Black and White Bullet Camera</b>	<b>Color Bullet Camera</b>
<b>CCD Image</b>	1/3" CCD image sensor	1/4" CCD image sensor
<b>Picture Elements</b>	Samsung chip: EIA: 510*492 CCIR: 500*582	Sharp chip: NTSC: 512*492 PAL: 512*582
<b>H. Sync Frequency</b>	EIA: 15.734 KHz, CCIR: 15.625 KHz	NTSC: 15.734 KHz, PAL: 15.625 KHz
<b>V. Sync. Frequency</b>	EIA: 59.94 Hz, CCIR: 50 Hz	NTSC: 59.94 Hz, PAL: 50 Hz
<b>V. Synchronization</b>	Internal	Internal
<b>Resolution (TV lines)</b>	420	380
<b>Minimum illumination</b>	0.1 Lux	1 Lux
<b>Back Light Compensation</b>	Auto	Auto
<b>Electronic Shutter</b>	Auto, 1/50(1/60) - 1/100,000 sec.	Auto, 1/50(1/60) - 1/100,000 sec.
<b>Auto Gain Control</b>	Auto	Auto
<b>Lens (F2.0)</b>	3.6mm standard (6, 8, 12mm option)	3.6mm standard (6, 8, 12mm option)
<b>Gamma Correction</b>	0.45	0.45
<b>S/N Ratio</b>	More than 48 dB	More than 48 dB
<b>Video Output</b>	1 Vp-p, 75 Ohms	1 Vp-p, 75 Ohms
<b>Power Supply</b>	12VDC	12VDC
<b>Power Consumption</b>	125mA	125mA
<b>Storage Temperature</b>	-30°C ~ +60°C (-22°F ~ +140°F)	-30°C ~ +60°C (-22°F ~ +140°F)
<b>Operating Temperature</b>	-10°C ~ +45°C (14°F ~ +113°F)	-10°C ~ +45°C (14°F ~ +113°F)
<b>Dimensions</b>	22mm x 81mm(H) (0.87 x 3.19)"	22mm x 81mm(H)
<b>Weight (Gross)</b>	80g (2.8oz.)	80g (2.8oz.)

\*CCIR/PAL available by special request only.

### Dimensions



**Now Available!**  
**Contact SECO-LARM for pricing!**